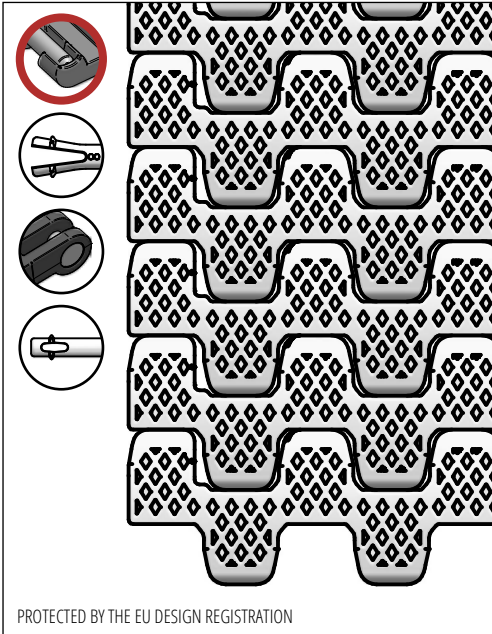


# S.12-448

Proofing belt for raw dough. The inverted Diamond pattern ensures easy product release. Runs on 14 mm nose bar. FDA approved



**SCANBELT**  
...keeping industry moving...



## SUGGESTED INDUSTRIES



## STANDARD FEATURES

Belt surface	Closed top with an inverted diamond pattern
Open area	Closed
Strength	Ideal choice for light transportation
Cleanability	Excellent. FSIS
Standard width	Increments of 20 mm, e.g. 100, 120 mm etc.

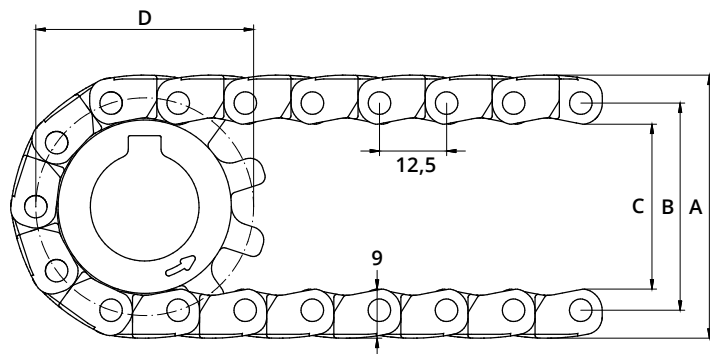
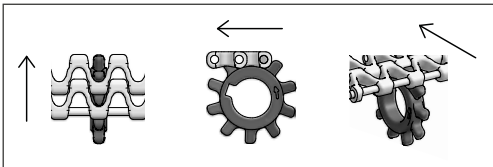
## BELT DATA

Belt materials	Temperature range		Max. belt pull kg/m of width	Belt weight kg/m <sup>2</sup>	Belt weight kg/m <sup>2</sup> w. steel rods	Standard Colours
	Min.	Max.				
PE	- 73	66	600	4,5	12	Blue/Natural
PP	+ 5	100	800	4,5	12	Blue/White/Grey
POM	- 43	95	1450	6	13,5	Blue/Natural

## ACCESSORIES

Type	mm
Flights	25
Scoop Flights	-
Bent Flights	-
Supported Flights	-
Flights fitted with a Round Top	Yes
Side Guards	-
Friction Top	Yes
Hold-downs	-

## SPROCKET ENGAGEMENT



## SPROCKET DATA

A = Outside, B = Pitch, C = Inside, D = Pitch Circle Diameter

No. Teeth	A	B	C	D	Hub Width	Round Bore		Square Bore	
	mm	mm	mm	mm		mm	Inch	mm	Inch
10	48	38	30	41	8	20	¾		
19	83	73	65	76	12	20 / 25 / 30 / 40	1	25 / 40	1½
24	103	93	85	96	12	20 / 25 / 30 / 40	1	25 / 40	1½
28	123	113	105	115	12	20 / 25 / 30 / 40	1	25 / 40	1½