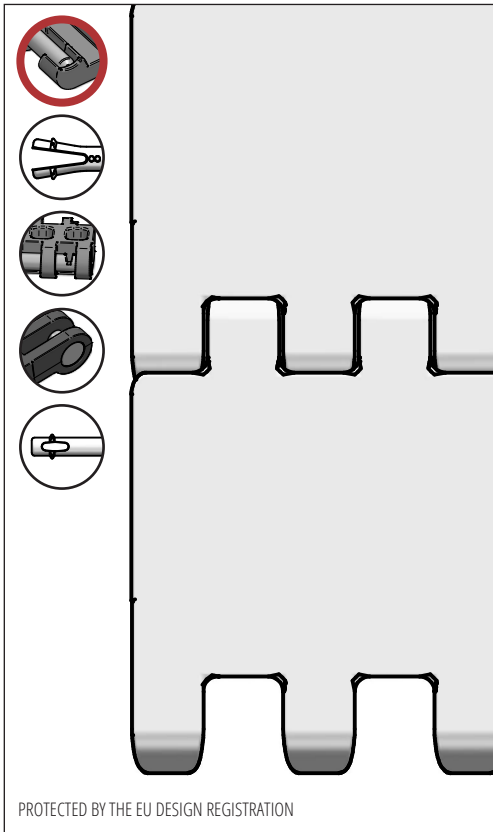


# S.50-808

Recommended for meat & poultry, seafood, poultry, dairy and vegetables industries and trimming lines in general.  
FDA approved



## SUGGESTED INDUSTRIES



## STANDARD FEATURES

Belt surface	Flat top
Open area	Closed
Strength	The right belt for medium-heavy transportation
Cleanability	Excellent. FSIS
Standard width	Increments of 20 mm, e.g. 100, 120 mm etc.

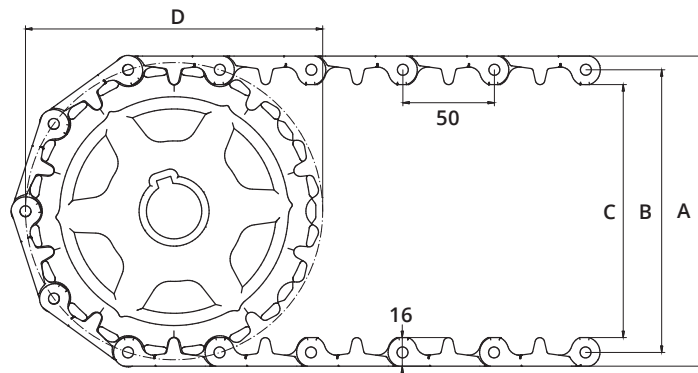
## BELT DATA

Belt materials	Temperature range		Max. belt pull kg/m of width	Belt weight kg/m <sup>2</sup>	Belt weight kg/m <sup>2</sup> w. steel rods	Standard Colours
	Min.	Max.				
PE	- 73	66	1200	7	17	Blue/Natural
PP	+ 5	100	1400	7	18	Blue/White/Grey
POM	- 43	95	2060	10	25	Blue/Natural

## ACCESSORIES

Type	mm
Flights	3, 25*, 50*, 75*, 100*
Scoop Flights	50, 75, 100*, 150*
Bent Flights	75*, 100*
Supported Flights	75, 100, 150
Flights fitted with a Round Top	Yes
Side Guard	50, 75, 100, 150
Friction Top	Yes
Hold-downs	Yes

\*Modules can be supplied with a moulded indent of 40 mm.



## SPROCKET DATA

A= Outside, B= Pitch, C= Inside, D= Pitch Circle Diameter

No. Teeth	A	B	C	D	Hub Width	Round Bore		Square Bore	
						mm	Inch	mm	Inch
	mm	mm	mm	mm	mm	mm	Inch	mm	Inch
6	105	89	73	100	20	20 / 25 / 30 / 40	¾ / 1 / 1¼	40 / 60	1½
8	138	122	106	132	35	25 / 30 / 40	1 / 1¼	40 / 60	1½
10	172	156	140	162	35	20 / 25 / 30 / 40 / 50 / 60 / 80	1 / 1¼	25 / 40 / 60	1½ / 2½
12	205	189	173	195	35	20 / 25 / 30 / 40 / 50 / 60 / 80	1 / 1¼	25 / 40 / 60	1½ / 2½