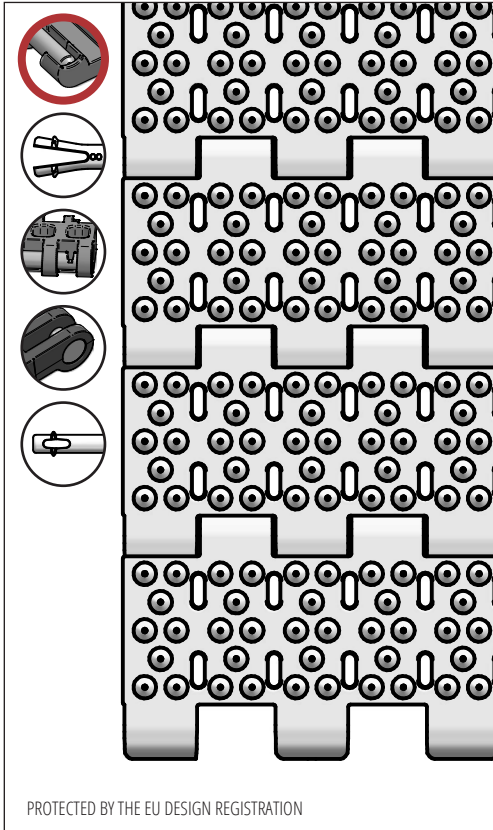


S.25-836

Ideal choice for light transportation.
Seafood, meat & poultry, fruit & vegetables etc.
FDA approved



SCANBELT
...keeping industry moving...



PROTECTED BY THE EU DESIGN REGISTRATION

SUGGESTED INDUSTRIES



STANDARD FEATURES

Belt surface	Structure nub top with 3 mm cones
Open area	17 %. Biggest opening 2 x 5 mm
Strength	Ideal choice for light transportation
Cleanability	Excellent. FSIS
Standard width	Increments of 20 mm, e.g. 100, 120 mm etc.
Also available as	Module with 40 mm indent

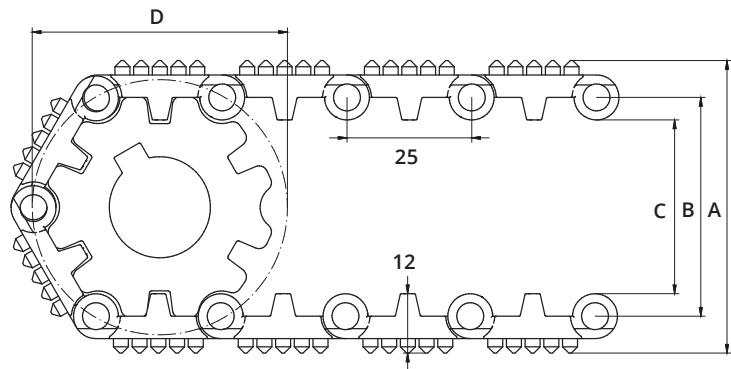
BELT DATA

Belt materials	Temperature range		Max. belt pull kg/m of width	Belt weight kg/m ²	Belt weight kg/m ² w. steel rods	Standard Colours
	Min.	Max.				
PE	- 73	66	550	5,5	11	Blue/Natural
PP	+ 5	100	650	5,5	11	Blue/White/Grey
POM	- 43	95	1050	8	13,5	Blue/Natural

ACCESSORIES

Type	mm
Flights	3, 25, 50*, 75
Scoop Flights	50, 75
Bent Flights	-
Supported Flights	-
Flights fitted with a Round Top	Yes
Side Guards	25, 50, 75
Friction Top	Yes
Hold-downs	Yes

*Modules can be supplied with a moulded indent of 40 mm.



SPROCKET DATA

A = Outside, B = Pitch, C = Inside, D = Pitch Circle Diameter

No. Teeth	A	B	C	D	Hub Width	Round Bore		Square Bore	
	mm	mm	mm	mm		mm	Inch	mm	Inch
	6	62	47	38		51	20	20	
12	111	96	87	98	20	20 / 25 / 30 / 40	¾ / 1 / 1¼	25 / 40	1½
16	146	131	122	133	20	20 / 25 / 30 / 40	¾ / 1 / 1¼	25 / 40	1½
20	178	163	154	165	35	25 / 30 / 40	1 / 1¼	25 / 40 / 60	1½ / 2½