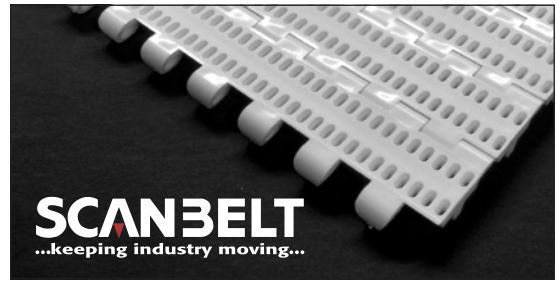


# S.25-806

Ideal choice for seafood, dairy, vegetables, poultry, snacks, sweets etc. Ideal for products requiring drainage and small openings during transport. FDA approved



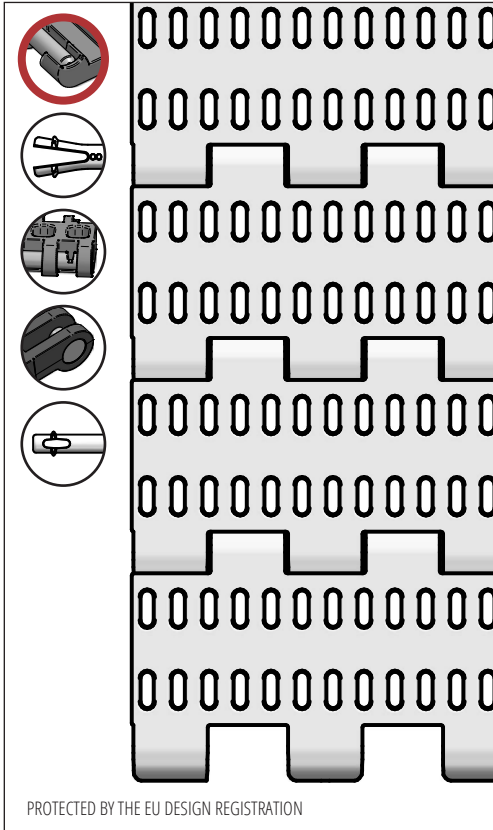
**SCANBELT**  
...keeping industry moving...

## SUGGESTED INDUSTRIES



## STANDARD FEATURES

|                |  |
|----------------|--|
| Belt surface   | Perforated belt with a smooth surface    |
| Open area      | 17 %. Biggest opening 2 x 5 mm           |
| Strength       | Ideal choice for light transportation    |
| Cleanability   | Excellent. FSIS                          |
| Standard width | Increments of 20 mm, e.g. 100 mm, 120 mm |



PROTECTED BY THE EU DESIGN REGISTRATION

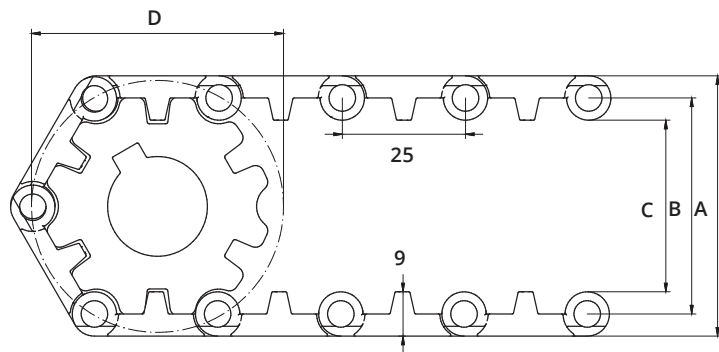
## BELT DATA

| Belt materials | Temperature range |      | Max. belt pull kg/m of width | Belt weight kg/m <sup>2</sup> | Belt weight kg/m <sup>2</sup> w. steel rods | Standard Colours |
|----------------|-------------------|------|------------------------------|-------------------------------|---|------------------|
|                | Min.              | Max. |                              |                               |   |                  |
| PE             | - 73              | 66   | 550                          | 5,5                           | 11  | Blue/Natural     |
| PP             | + 5               | 100  | 650                          | 5,5                           | 11  | Blue/White/Grey  |
| POM            | - 43              | 95   | 1050                         | 8                             | 13,5  | Blue/Natural     |

## ACCESSORIES

| Type                            | mm             |
|---------------------------------|----------------|
| Flights                         | 3, 25, 50*, 75 |
| Scoop Flights                   | 50, 75         |
| Bent Flights                    | -              |
| Supported Flights               | -              |
| Flights fitted with a Round Top | Yes            |
| Side Guards                     | 25, 50, 75     |
| Friction Top                    | Yes            |
| Hold-downs                      | -              |

\*Modules can be supplied with a moulded indent of 40 mm.



## SPROCKET DATA

A = Outside, B = Pitch, C = Inside, D = Pitch Circle Diameter

| No. Teeth | A   | B   | C   | D   | Hub Width | Round Bore        |            | Square Bore  |         |
|-----------|-----|-----|-----|-----|-----------|-------------------|------------|--------------|---------|
|           | mm  | mm  | mm  | mm  |           | mm                | Inch       | mm           | Inch    |
| 6         | 56  | 47  | 38  | 51  | 20        | 20                |            |              |         |
| 12        | 105 | 96  | 87  | 98  | 20        | 20 / 25 / 30 / 40 | ¾ / 1 / 1¼ | 25 / 40      | 1½      |
| 16        | 140 | 131 | 122 | 133 | 20        | 20 / 25 / 30 / 40 | ¾ / 1 / 1¼ | 25 / 40      | 1½      |
| 20        | 172 | 163 | 154 | 165 | 35        | 25 / 30 / 40      | 1 / 1¼     | 25 / 40 / 60 | 1½ / 2½ |