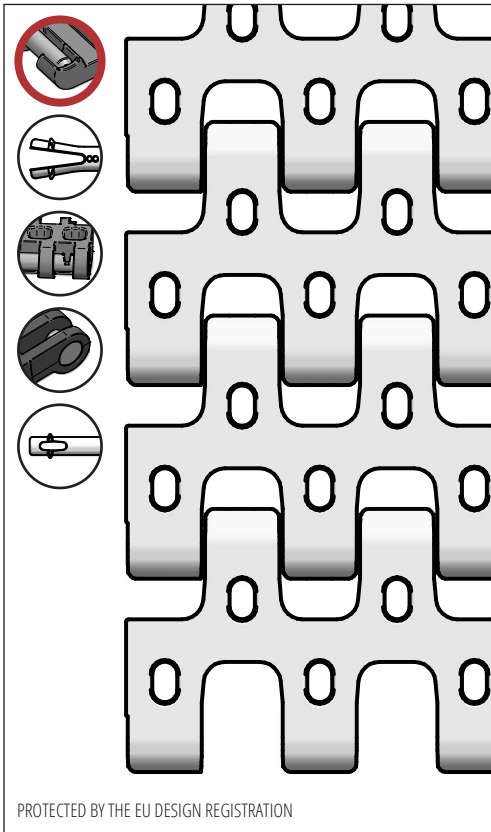


# S.25-801

Ideal choice for light transportation etc.  
FDA approved



**SCANBELT**  
...keeping industry moving...



PROTECTED BY THE EU DESIGN REGISTRATION

## SUGGESTED INDUSTRIES



## STANDARD FEATURES

Belt surface	Open belt with smooth surface
Open area	Very Open 41 %, biggest opening 10 x 5 mm
Strength	Ideal choice for light transportation
Cleanability	Excellent. FSIS
Standard width	Increments of 20 mm, e.g. 100 mm, 120 mm etc.

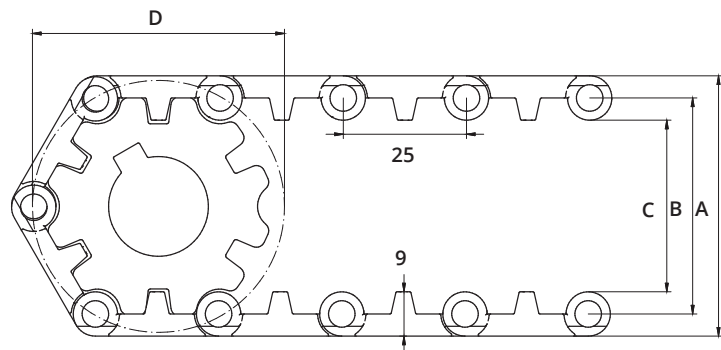
## BELT DATA

Belt materials	Temperature range		Max. belt pull kg/m of width	Belt weight kg/m <sup>2</sup>	Belt weight kg/m <sup>2</sup> w. steel rods	Standard Colours
	Min.	Max.				
PE	- 73	66	550	5	10,5	Blue/Natural
PP	+ 5	100	650	5	10,5	Blue/White/Grey
POM	- 43	95	1050	7,5	13	Blue/Natural

## ACCESSORIES

Type	mm
Flights	3, 25, 50*, 75
Scoop Flights	50, 75
Bent Flights	-
Supported Flights	-
Flights fitted with a Round Top	Yes
Side Guards	25, 50, 75
Friction Top	Yes
Hold-downs	Yes

\*Modules can be supplied with a moulded indent of 40 mm.



## SPROCKET DATA

A = Outside, B = Pitch, C = Inside, D = Pitch Circle Diameter

No. Teeth	A	B	C	D	Hub Width	Round Bore		Square Bore	
	mm	mm	mm	mm		mm	Inch	mm	Inch
6	56	47	38	51	20	20			
12	105	96	87	98	20	20 / 25 / 30 / 40	¾ / 1 / 1¼	25 / 40	1½
16	140	131	122	133	20	20 / 25 / 30 / 40	¾ / 1 / 1¼	25 / 40	1½
20	172	163	154	165	35	25 / 30 / 40	1 / 1¼	25 / 40 / 60	1½ / 2½