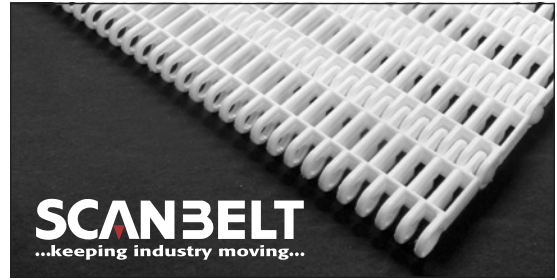
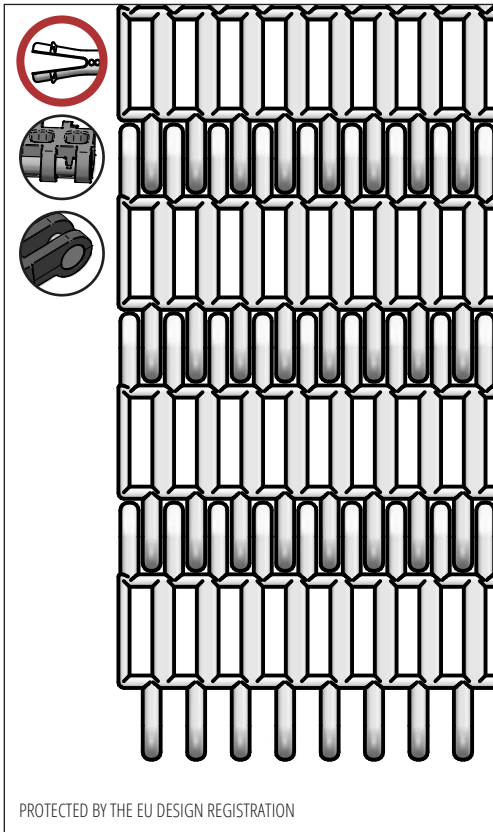


S.25-700

Ideal choice for light transportation etc.
Vegetables, bakery goods, seafood, poultry etc.
Even as cooling/freezing belt.
FDA approved



SCANBELT
...keeping industry moving...



PROTECTED BY THE EU DESIGN REGISTRATION

SUGGESTED INDUSTRIES



STANDARD FEATURES

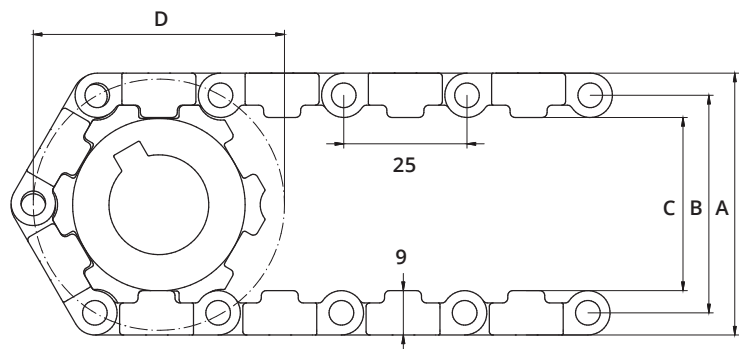
Belt surface	Open belt with a smooth surface
Open area	27 %. Biggest opening 3 x 12 mm
Strength	Ideal choice for light transportation
Cleanability	Good. FSIS
Standard width	Increments of 6 mm, e.g. 100, 106 mm etc.

BELT DATA

Belt materials	Temperature range		Max. belt pull kg/m of width	Belt weight kg/m ²	Belt weight kg/m ² w. steel rods	Standard Colours
	Min.	Max.				
PE	- 73	66	540	4	9,5	Blue/Natural
PP	+ 5	100	740	4	9,5	Blue/White/Grey
POM	- 43	95	1250	6	11,5	Blue/Natural

ACCESSORIES

Type	mm
Flights	3, 25, 50,
Scoop Flights	-
Bent Flights	-
Supported Flights	-
Flights fitted with a Round Top	Yes
Side Guards	25, 50, 75
Friction Top	-
Hold-downs	Yes



SPROCKET DATA

A = Outside, B = Pitch, C = Inside, D = Pitch Circle Diameter

No. Teeth	A	B	C	D	Hub Width	Round Bore		Square Bore	
	mm	mm	mm	mm		mm	Inch	mm	Inch
	6	54	45	36		52	40	20	
12	105	96	87	99	40	25 / 30 / 40		40	1½
20	170	161	152	164	40	25 / 30 / 40		40 / 60	1½