

S.25-412

Ideal for medium weight transportation.
Great for fish, meat, fruit & vegetables etc. Suitable for blanching belts and boiling of noodles.
FDA approved



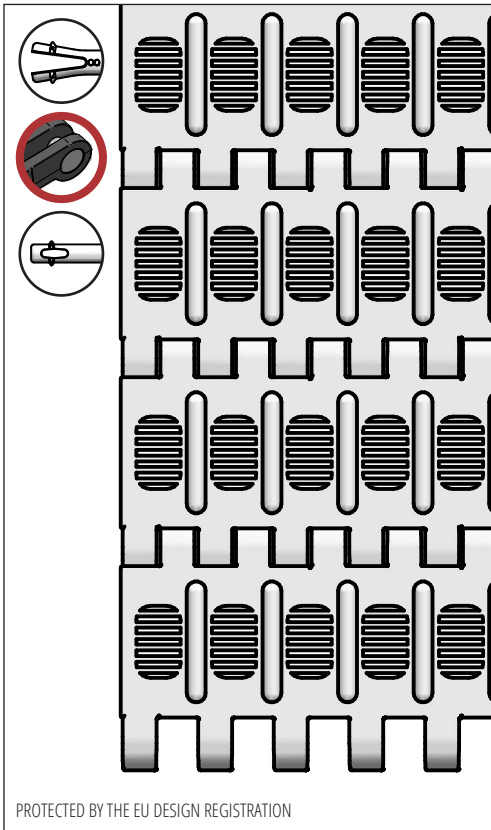
SCANBELT
...keeping industry moving...

SUGGESTED INDUSTRIES



STANDARD FEATURES

Belt surface	Open net-like belt with 2,5 mm transverse Flights
Open area	13 %. Biggest opening 1 x 6 mm
Strength	Ideal for medium weight transportation
Cleanability	Good. FSIS
Standard width	Increments of 10 mm, e.g. 100, 110 mm etc.



PROTECTED BY THE EU DESIGN REGISTRATION

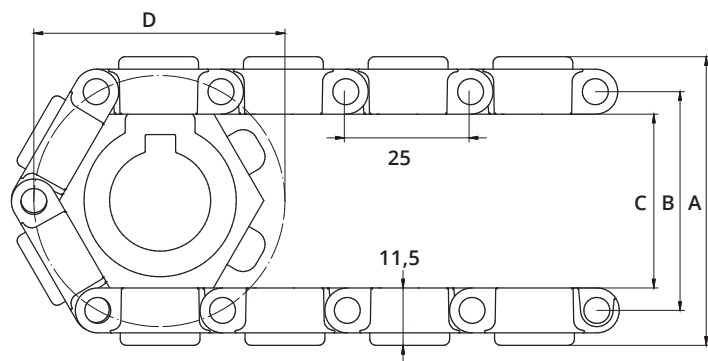
BELT DATA

Belt materials	Temperature range		Max. belt pull kg/m of width	Belt weight kg/m ²	Belt weight kg/m ² w. steel rods	Standard Colours
	Min.	Max.				
PE	-73	66	900	6	11,5	Blue/Natural
PP	+5	100	1250	6	11,5	Blue/White/Grey
POM	-43	95	2400	9	14,5	Blue/Natural

ACCESSORIES

Type	mm
Flights	3, 25*, 50*
Scoop Flights	-
Bent Flights	-
Flights fitted with a Round Top	Yes
Moulded Side Guards	10, 20
Side Guards	25, 50, 75
Friction Top	-
Hold-downs	Yes

*Modules can be supplied with a moulded indent of 40 mm.



SPROCKET DATA

A = Outside, B = Pitch, C = Inside, D = Pitch Circle Diameter

No. Teeth	A	B	C	D	Hub Width	Round Bore		Square Bore	
	mm	mm	mm	mm		mm	Inch	mm	Inch
6	59	45	36	52	20	20			
8	76	62	53	66	20	20 / 25	1	25	
12	110	96	87	99	20	20 / 25 / 30 / 40	1 / 1¼	25 / 40	1½
20	176	162	153	164	35	25 / 30 / 40	1 / 1¼	25 / 40 / 60	1½ / 2½