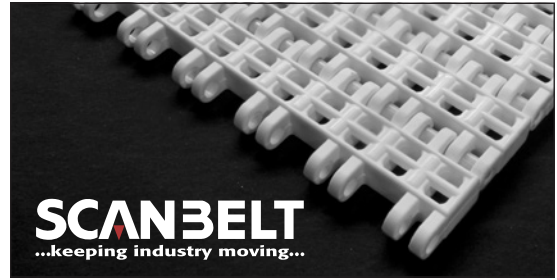
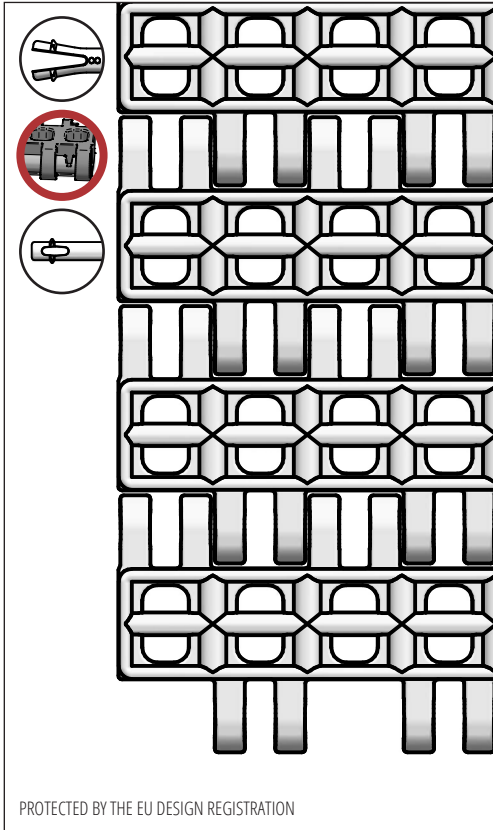


S.25-411

Ideal for medium weight transportation. Great for fish, meat, vegetables, frozen food etc. Suitable for blanching belts and boiling of noodles. FDA approved



SCANBELT
...keeping industry moving...



SUGGESTED INDUSTRIES



STANDARD FEATURES

Belt surface	Open net-like belt with a curved surface
Open area	26 %. Biggest opening 3 x 6 mm
Strength	Ideal for medium weight transportation
Cleanability	Excellent. FSIS
Standard width	Increments of 20 mm, e.g. 100 mm, 120 mm etc.
Non-standard width*	Increments of 12,5 mm, e.g. 100, 112,5 mm etc.

*Non-standard widths will have cut edge on one side.

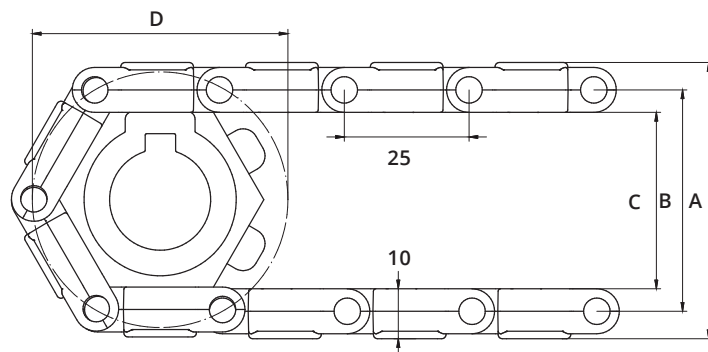
BELT DATA

Belt materials	Temperature range		Max. belt pull kg/m of width	Belt weight kg/m ²	Belt weight kg/m ² w. steel rods	Standard Colours
	Min.	Max.				
PE	- 73	66	630	6	11,5	Blue/Natural
PP	+ 5	100	1060	6	11,5	Blue/White/Grey
POM	- 43	95	1620	7,5	13	Blue/Natural

ACCESSORIES

Type	mm
Flights	3, 25, 50, 75
Scoop Flights	-
Bent Flights	-
Supported Flights	-
Flights fitted with a Round Top	Yes
Side Guards	25, 50, 75
Friction Top	Yes
Hold-downs	Yes

*Modules can be supplied with a moulded indent of 40 mm.



SPROCKET DATA

A = Outside, B = Pitch, C = Inside, D = Pitch Circle Diameter

No. Teeth	A	B	C	D	Hub Width	Round Bore		Square Bore	
						mm	Inch	mm	Inch
	mm	mm	mm	mm	mm	mm		mm	Inch
6	56	45	36	52	20	20			
8	73	62	53	66	20	20 / 25	1	25	
12	107	96	87	99	20	20 / 25 / 30 / 40	1 / 1¼	25 / 40	1½
20	173	162	153	164	35	25 / 30 / 40	1 / 1¼	25 / 40 / 60	1½ / 2½