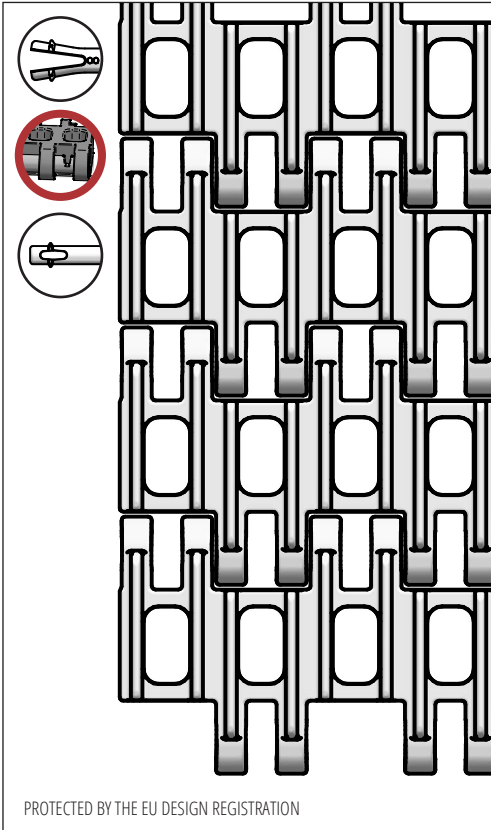


S.25-402

Ideal for medium weight transportation. Great for transport of products which demand a low contact surface.
FDA approved



SCANBELT
...keeping industry moving...



PROTECTED BY THE EU DESIGN REGISTRATION

SUGGESTED INDUSTRIES



STANDARD FEATURES

Belt surface	Raised ribs, 4 mm
Open area	29 %. Biggest opening 6 x 10 mm
Strength	Ideal for medium weight transportation
Cleanability	Excellent. FSIS
Standard width	Increments of 40 mm, e.g. 200 mm, 240 mm
Non-standard width*	Increments of 12,5 mm, e.g. 100, 112,5 mm etc.

*Non-standard widths will have cut edge on one side.

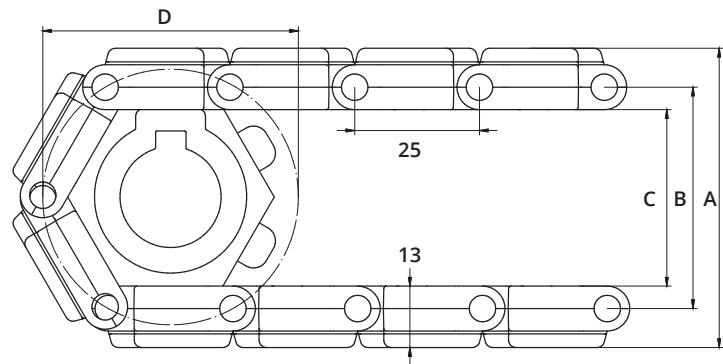
BELT DATA

Belt materials	Temperature range		Max. belt pull kg/m of width	Belt weight kg/m ²	Belt weight kg/m ² w. steel rods	Standard Colours
	Min.	Max.				
PE	- 73	66	700	6	11,5	Blue/Natural
PP	+ 5	100	1120	6	11,5	Blue/White/Grey
POM	- 43	95	1500	7,5	13	Blue/Natural

ACCESSORIES

Type	mm
Flights	3, 25*, 50*, 75*
Scoop Flights	-
Bent Flights	-
Supported Flights	-
Flights fitted with a Round Top	Yes
Side Guards	25, 50, 75
Friction Top	Yes
Hold-downs	Yes

*Modules can be supplied with a moulded indent of 40 mm.



SPROCKET DATA

A = Outside, B = Pitch, C = Inside, D = Pitch Circle Diameter

No. Teeth	A	B	C	D	Hub Width	Round Bore		Square Bore	
	mm	mm	mm	mm		mm	Inch	mm	Inch
6	62	45	36	52	20	20			
8	79	62	53	66	20	20 / 25	1	25	
12	113	96	87	99	20	20 / 25 / 30 / 40	1 / 1¼	25 / 40	1½
20	179	162	153	164	35	25 / 30 / 40	1 / 1¼	25 / 40 / 60	1½ / 2½