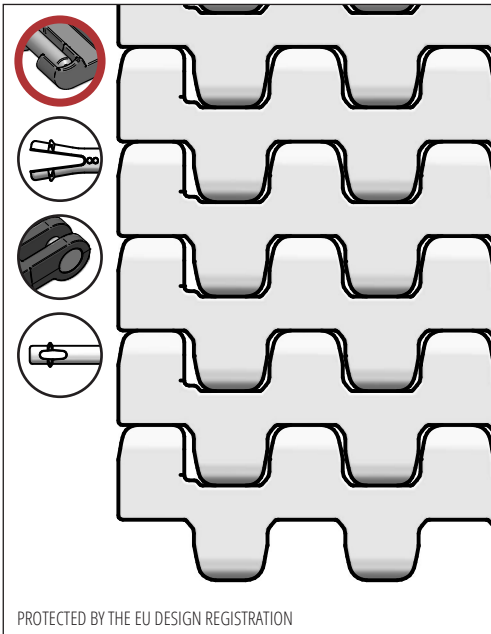


# S.12-408

Ideal choice for light transportation.  
Cooling belt for small nose bars, down to 14 mm.  
FDA approved



**SCANBELT**  
...keeping industry moving...



PROTECTED BY THE EU DESIGN REGISTRATION

## SUGGESTED INDUSTRIES



## STANDARD FEATURES

Belt surface	Flat top
Open area	Closed
Strength	Ideal choice for light transportation
Cleanability	Excellent. FSIS
Standard width	Increments of 20 mm, e.g. 100, 120 mm etc.

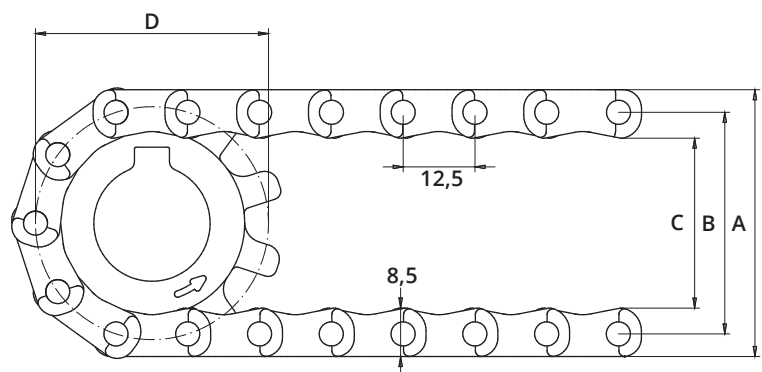
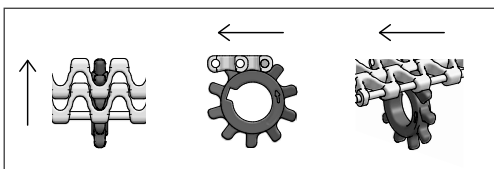
## BELT DATA

Belt materials	Temperature range		Max. belt pull kg/m of width	Belt weight kg/m <sup>2</sup>	Belt weight kg/m <sup>2</sup> w. steel rods	Standard Colours
	Min.	Max.				
PE	-73	66	600	4,5	12	Blue/Natural
PP	+5	100	800	4,5	12	Blue/White/Grey
POM	-43	95	1450	6	13,5	Blue/Natural

## ACCESSORIES

Type	mm
Flights	25
Scoop Flights	-
Bent Flights	-
Supported Flights	-
Flights fitted with a Round Top	Yes
Side Guards	-
Friction Top	Yes
Hold-downs	-

## SPROCKET ENGAGEMENT



## SPROCKET DATA

A = Outside, B = Pitch, C = Inside, D = Pitch Circle Diameter

No. Teeth	A	B	C	D	Hub Width	Round Bore		Square Bore	
	mm	mm	mm	mm		mm	Inch	mm	Inch
10	47	38	30	41	8	20	¾		
19	82	73	65	76	12	20 / 25 / 30 / 40	1	25 / 40	1½
24	102	93	85	96	12	20 / 25 / 30 / 40	1	25 / 40	1½
28	122	113	105	115	12	20 / 25 / 30 / 40	1	25 / 40	1½