

# Technical Datasheet

## Article Number

### PDR-M25 DB

PDR-M25 DB is a FDA, EC10/2011 and USDA approved positively driven belt, reinforced with aramid tensile members. The belt does not fray and has minimal stretch, which reduces maintenance and increases belt life.

Technical Data	
Material	TPU (Polyether)
Anti-hydrolysis	✓
Anti-microbial	✓
Color	Dark Blue
Base Belt Thickness	3.8 mm
Total Belt Thickness	10 mm
Profile	Matt
Tensile Strength	26 N/mm
Min. Pulley Ø	184 mm
Available Sprockets	23 and up
Aramid Cords Spacing	≈ 10 mm
Temperature Range	-30°C to +100°C
Weight	7.0 kg/m <sup>2</sup>
Coefficient of Friction (Steel)	
wet	0.6 ~ 0.8
dry	0.5 ~ 0.7
Hardness (Shore A)	95

## Installation

The belt is intended to run without tension. In case of tensioning, install the slack belt and tension until running smoothly. Do not tension more than 0.1%.

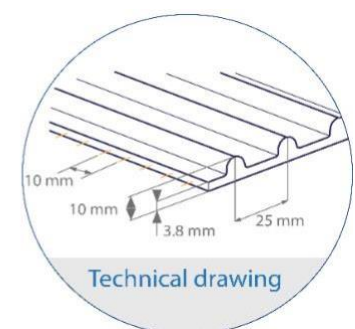
Production Data	
Standard Length	60 m
Max. Width	1,420 mm
Certification	
FDA	✓
USDA	✓
EU 10/2011	✓

## Accessories available

Cleats	High frequency
Sidewalls	High frequency; hot air
V-guides	High frequency; hot air
Joining Method	Butt Joint

## Properties

Trough suitable	-
Flat Conveyor	-
Positive Drive	✓
Wet (Hot and Cold)	✓
Environment	✓
Oily Environment	✓
Extreme Temp.	✓
Heavy Duty	✓



The information provided in this datasheet contains a general description of the performance characteristics of the products concerned. The actual products may not always have these characteristics as described and in particular, these may change as a result of further developments of the products. The provision of this information is not intended to have and will not have legal effect. An obligation to deliver products having particular characteristics shall only exist if expressed and agreed upon in the terms of the contract.

# Sprocket Datasheet

## Article Number

PDR-M25 SP

Technical Data		Applicable Belt Material at Temperature								
Sprocket Sizing		<0°C			0°C - 12°C			>12°C		
Number of Teeth OD (mm)		SB/W	DB	DB LT	SB/W	DB	DB LT	SB/W	DB	DB LT
23	184	◇	❖	◆	◇	◆	◆	◆	◆	◆

◇	Not suitable	❖	Suitable	◆	Recommended
---	--------------	---	----------	---	-------------

## Sprocket Placement

Belts with light or standard loads can be driven with one sprocket each 100 mm. For heavier loads or the use of a scraper, increase the number of sprockets on the drive shaft. Always ensure that the belt edges are supported by sprockets in order to improve belt lifetime.

## Sprocket Sizes Depending on Temperature

The working temperature will have an effect on the pulley size of the chosen belt material. Monolithic reinforced belts do get increasingly stiff in cold environments, whereas the polyether-TPU and special low temperature materials can counter this effect. Do consult with us about your application and when intending to run in extreme temperatures, our team will be able to recommend a suitable setup or product for you.



The information provided in this datasheet contains a general description of the performance characteristics of the products concerned. The actual products may not always have these characteristics as described and in particular, these may change as a result of further developments of the products. The provision of this information is not intended to have and will not have legal effect. An obligation to deliver products having particular characteristics shall only exist if expressed and agreed upon in the terms of the contract.