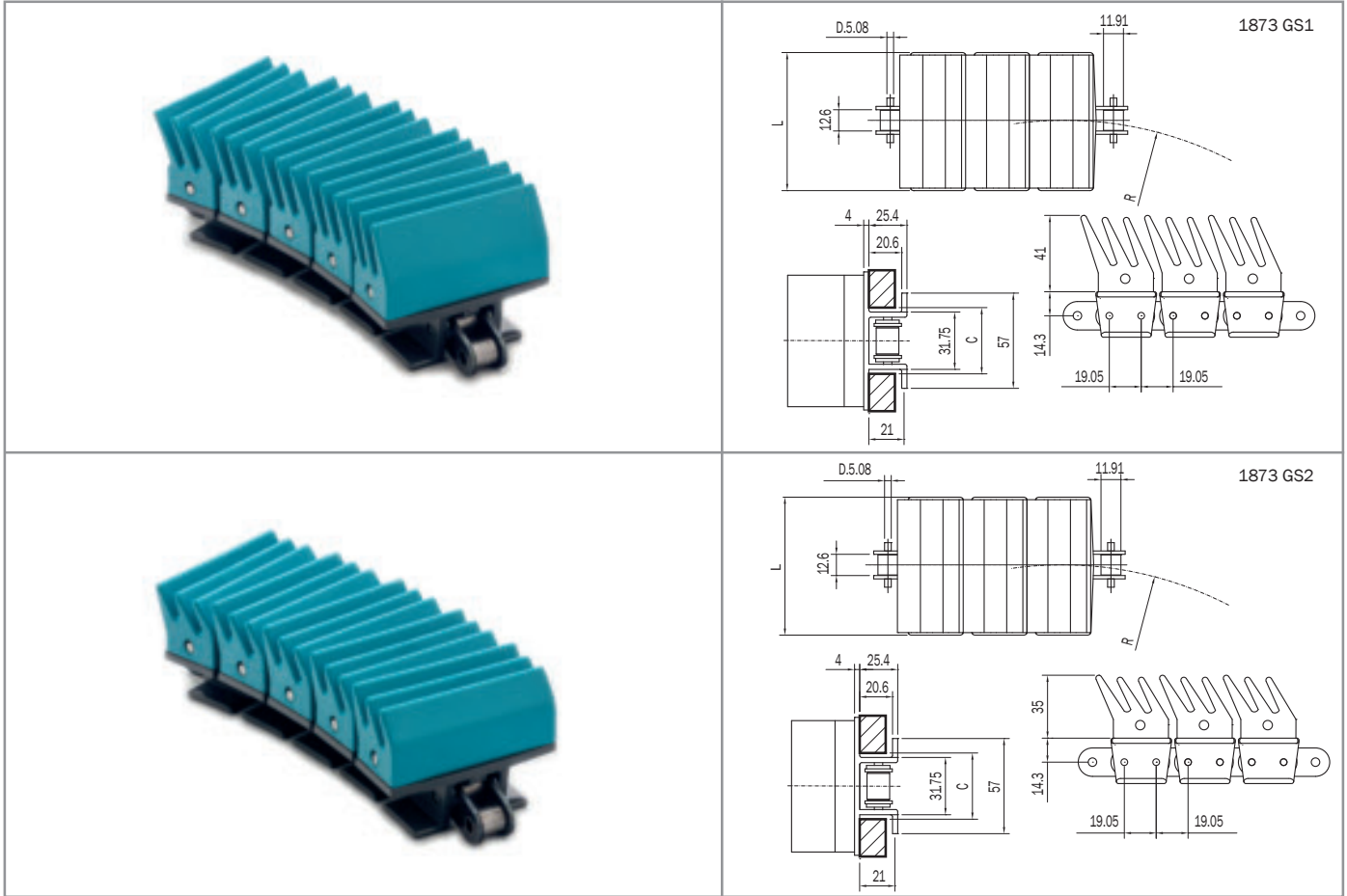


sideflexing plastic gripper chains

1873 GS SERIES



GS 1873 SERIES

Application: High speed conveyors, packaged products and conveying pet containers.
Benefits: High wear resistance, exceptional durability, extremely low noise performance, removable gripper.

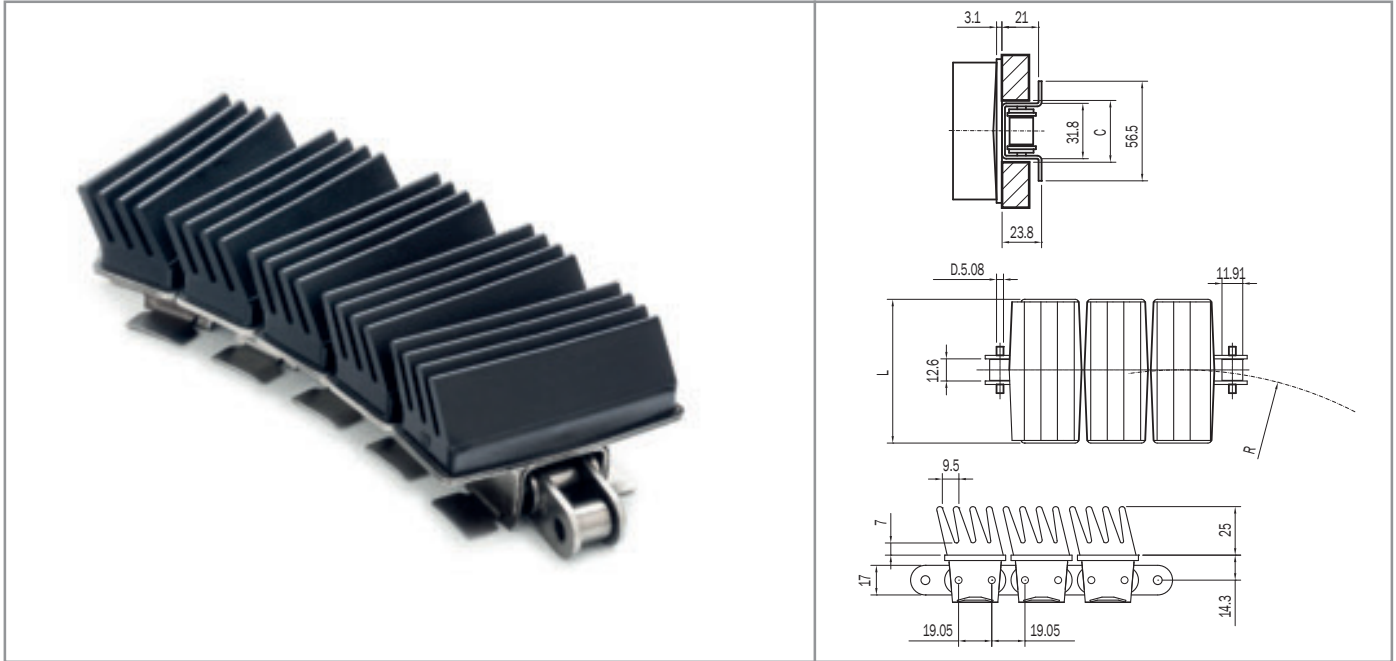
- Plates in self-lubricating, very low friction acetal resin, dark grey-coloured.
- Gripper pads are made in NBR material
- Base roller chain, 19.05mm - 3/4" pitch ANSI 63 SB



PRODUCT CODE	INTERNAL CODE	CHARACTERISTICS					
		Base roller chain	Slat with (mm)	R (mm)	C (mm)	Ultimate strenght (N)	Weight kg/m
SP 1873 GS1 K325	1873.GS1.041	steel	82.5	380	35	27000	4.70
SP 1873 GS1 K450	1873.GS1.081	steel	114.3	380	35	27000	7.10
SP 1873 SS GS1 K325	1873.SGS1.041	stainless steel	82.5	380	35	21000	4.70
SP 1873 SS GS1 K450	1873.SGS1.081	stainless steel	114.3	380	35	21000	7.10
SP 1873 GS2 K325	1873.GS2.041	steel	82.5	380	35	27000	4.10
SP 1873 GS2 K450	1873.GS2.081	steel	114.3	380	35	27000	6.40
SP 1873 SS GS2 K325	1873.SGS2.041	stainless steel	82.5	380	35	21000	4.10
SP 1873 SS GS2 K450	1873.SGS2.081	stainless steel	114.3	380	35	21000	6.40

sideflexing gripper chains

1874 GV SERIES



GV 1874 SERIES

Application: Conveying heavier containers, packaged products and conveying glass containers.
Benefits: High laceration and abrasion resistance, excellent resistance to fatigue and heat.



- Steel and stainless steel top plates
- Gripper pads are made in NBR o EPDM rubber
- Base roller chain, 19.05mm - 3/4" pitch ANSI 63 SB

PRODUCT CODE	INTERNAL CODE	CHARACTERISTICS					
		Rubber material	Slat with (mm)	R (mm)	C (mm)	Ultimate strenght (N)	Weight kg/m
GV 1874 K325	1874.CSG.041	NRB	82.5	380	35	27000	5.80
GV 1874 SS K325	1874.SSG.041	NRB	82.5	380	35	21000	5.80
GVH 1874 SS K325	1874.SSGH.041	EPDM	82.5	380	35	21000	5.80

NOTE OF MATERIALS

1874 - steel base roller chain, steel top plate

1874 SS - stainless steel base roller chain, stainless steel top plate