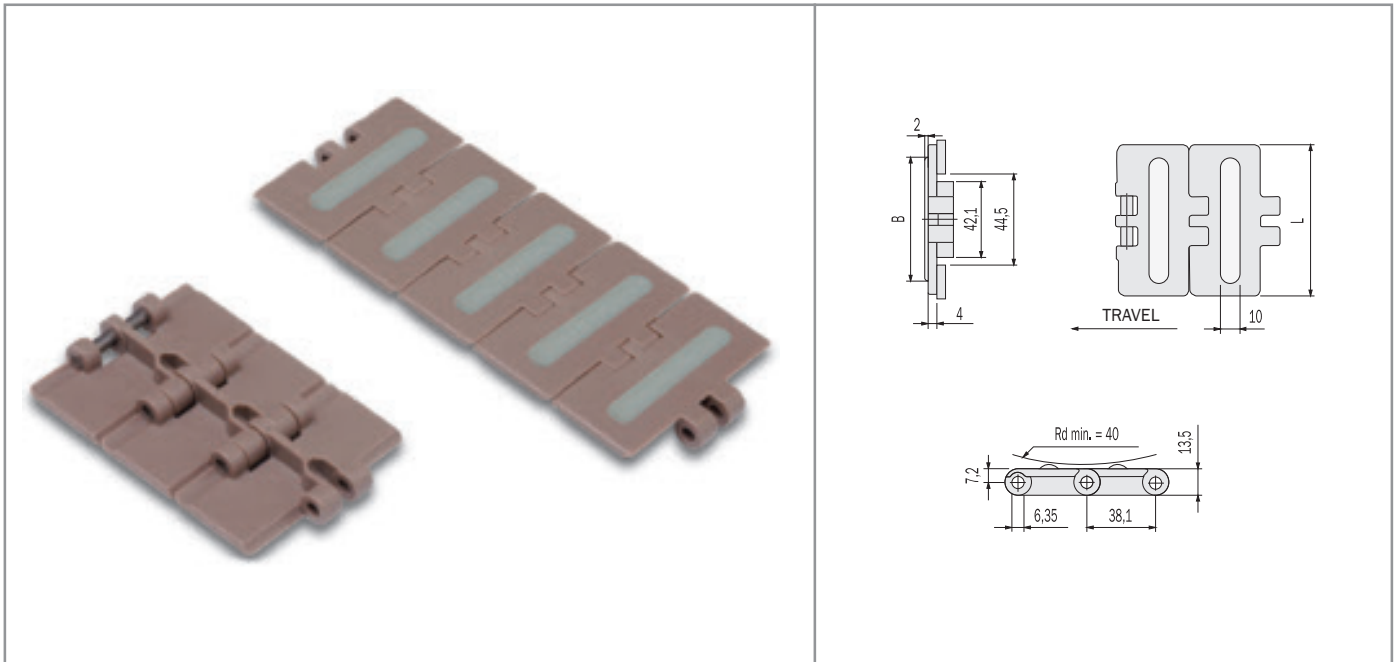


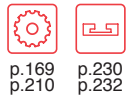
thermoplastic straight running chains

WITH RUBBER INSERTS - SINGLE HINGE - HFL 820 SERIES



HFL 820 - HIGH FRICTION LINK

- Plates in self-lubricating acetal resin, light brown-coloured, with a rubber insert.
- Pins in special chrome-nickel stainless steel, work hardened for high resistance.

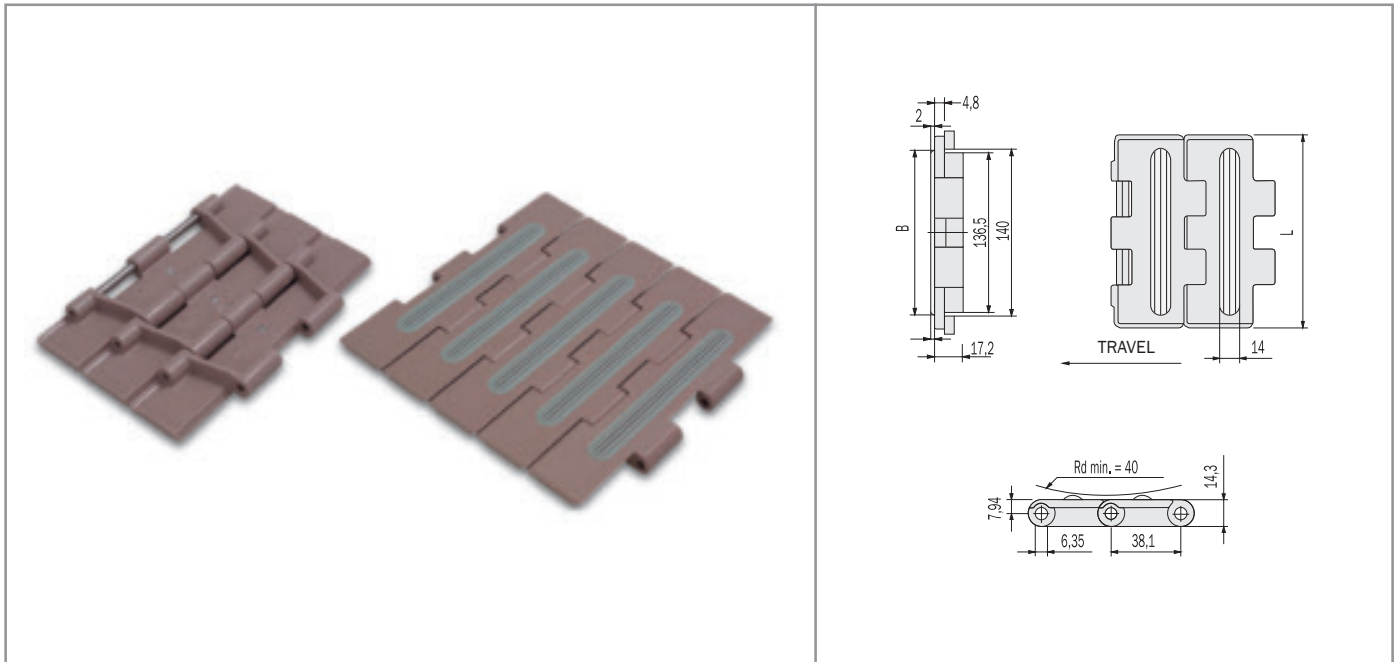


PRODUCT CODE	INTERNAL CODE	CHARACTERISTICS			
		Width L (mm)	B (mm)	Working Load Max N (21°C)	Weight kg/m
HFL 820 K325*	G.6.10.040	82.5	65.0	1230	0.83
HFL 820 K350*	G.6.10.060	88.9	88.9	1230	0.87
HFL 820 K400*	G.6.10.070	101.6	101.6	1230	0.95
HFL 820 K450*	G.6.10.080	114.3	114.3	1230	1.03
HFL 820 K600*	G.6.10.100	152.4	135.0	1230	1.25

- Inserts: rubber 60 shore A (grey).
- * Size produced only upon request. Delivery conditions and terms to be agreed.
- Standard shipping lengths = 80 pitches = 10 feet = 3,048 metres.
- Special configurations of distance between inserts are available upon request. Delivery conditions and terms to be agreed.
- These chains can be supplied either with pins in austenitic stainless steel, work hardened, highly wear resistant, or with pins in thermoplastic resin.

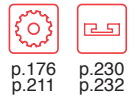
thermoplastic straight running chains

WITH RUBBER INSERTS - DOUBLE HINGE - HFL 821 SERIES



HFL 821 - HIGH FRICTION LINK

- Plates in self-lubricating acetal resin, light brown-coloured, with a rubber insert.
- Pins in special chrome-nickel stainless steel, work hardened for high resistance.



PRODUCT CODE	INTERNAL CODE	CHARACTERISTICS			
		Width L (mm)	B (mm)	Working Load Max N (21°C)	Weight kg/m
HFL 821 K750*	G.6.14.110	190.5	132.0	2680	2.50
HFL 821 K1000*	G.6.14.120	254.0	195.0	2680	2.95
HFL 821 K1200*	G.6.14.130	304.8	245.0	2680	3.25

- Inserts: rubber 60 shore A (grey).
- * Size produced only upon request. Delivery conditions and terms to be agreed.
- Standard shipping lengths = 80 pitches = 10 feet = 3,048 metres.
- Special configurations of distance between inserts are available upon request. Delivery conditions and terms to be agreed.
- These chains can be supplied with pins in austenitic stainless steel, work hardened, highly wear resistant.